

SVS VALVE PLUG FORM A 18MM FIELD-WIREABLE

24V LED+Z-Diode PG9

Form A (18 mm)

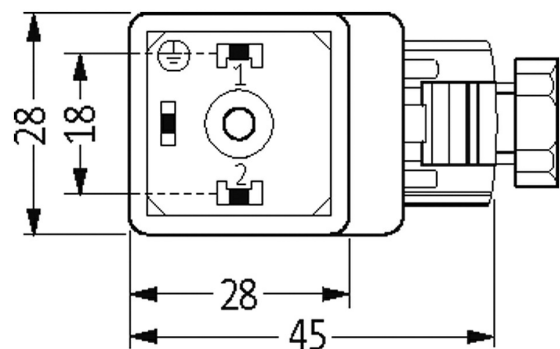
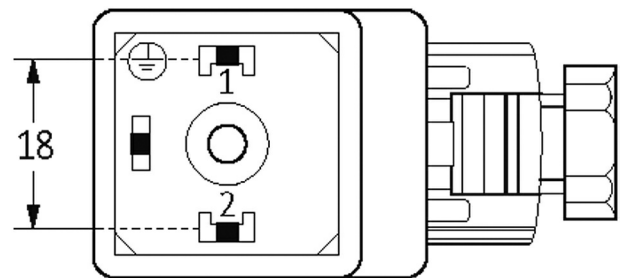
LED and Z-diode

24 V AC $\pm 20\%$ / DC $\pm 25\%$

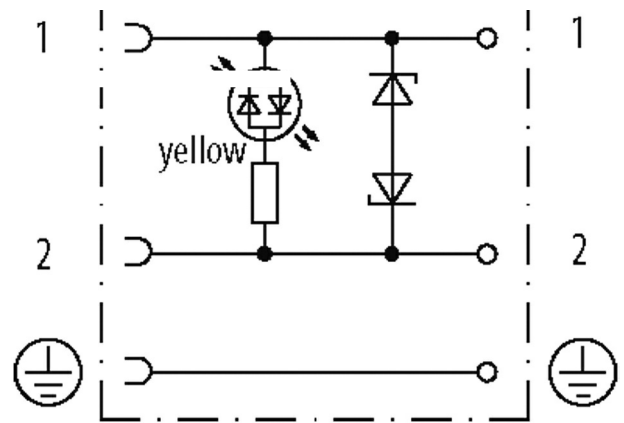
PG9

Plastic housings with good resistance against chemicals and oils.

The resistance to aggressive media should be individually tested for your application. Further details on request.

[Link to Product](#)**Illustration**

Height: 41 mm



Product may differ from Image

Form

Form 29021

General data

Temperature range -20...+60 °C

Technical DataOperating voltage 24 V AC $\pm 20\%$ / DC $\pm 25\%$

Operating current per contact max. 4 A

Configuration 2 contacts + PE

Locking of ports M3 (recommended torque 0.4 Nm)

Protection IP65 inserted and tightened (EN 60529)

Commercial data

country of origin CN

customs tariff number 85366990

EAN 4048879187657

eClass 27279221

Packaging unit 1